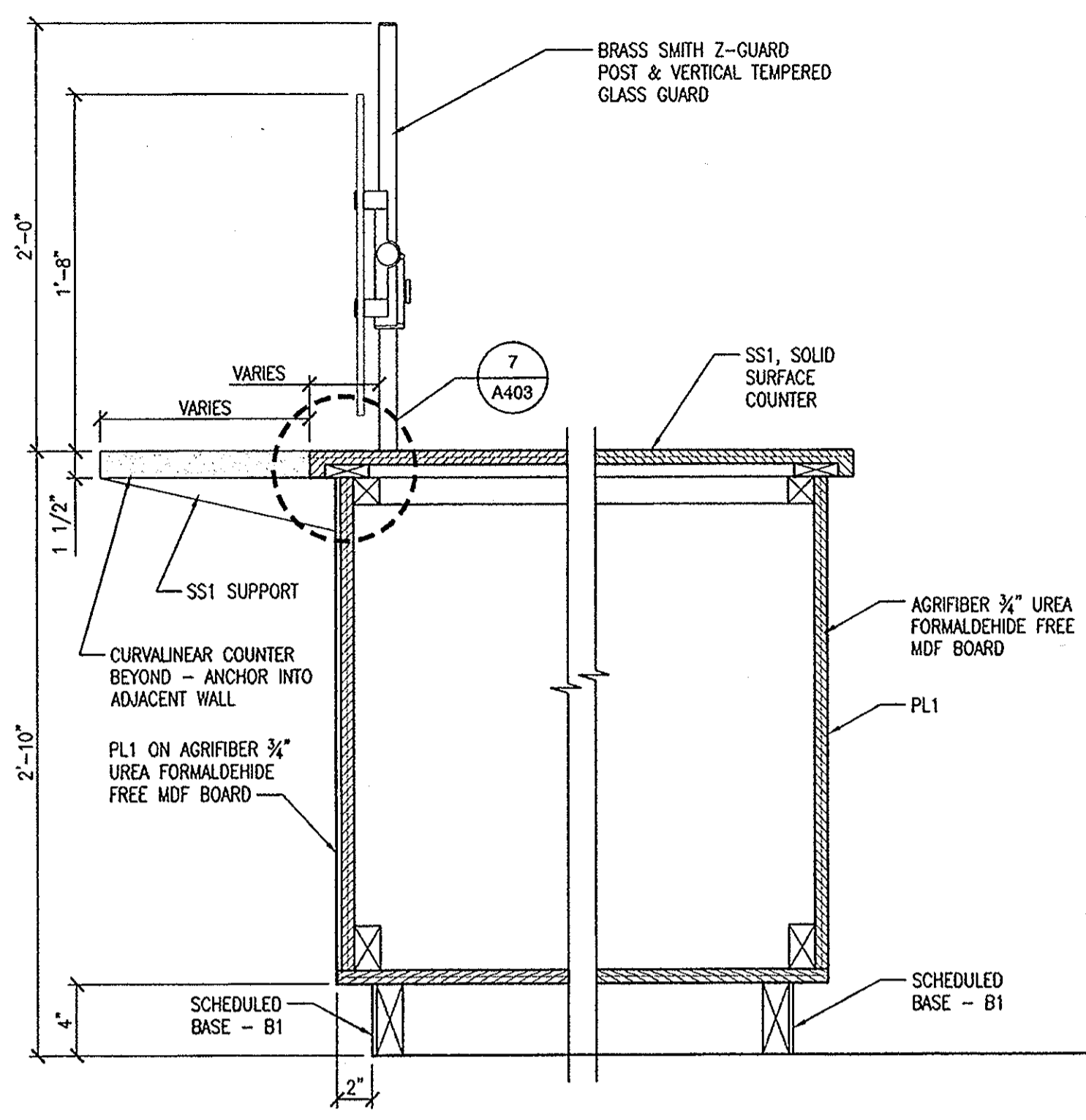
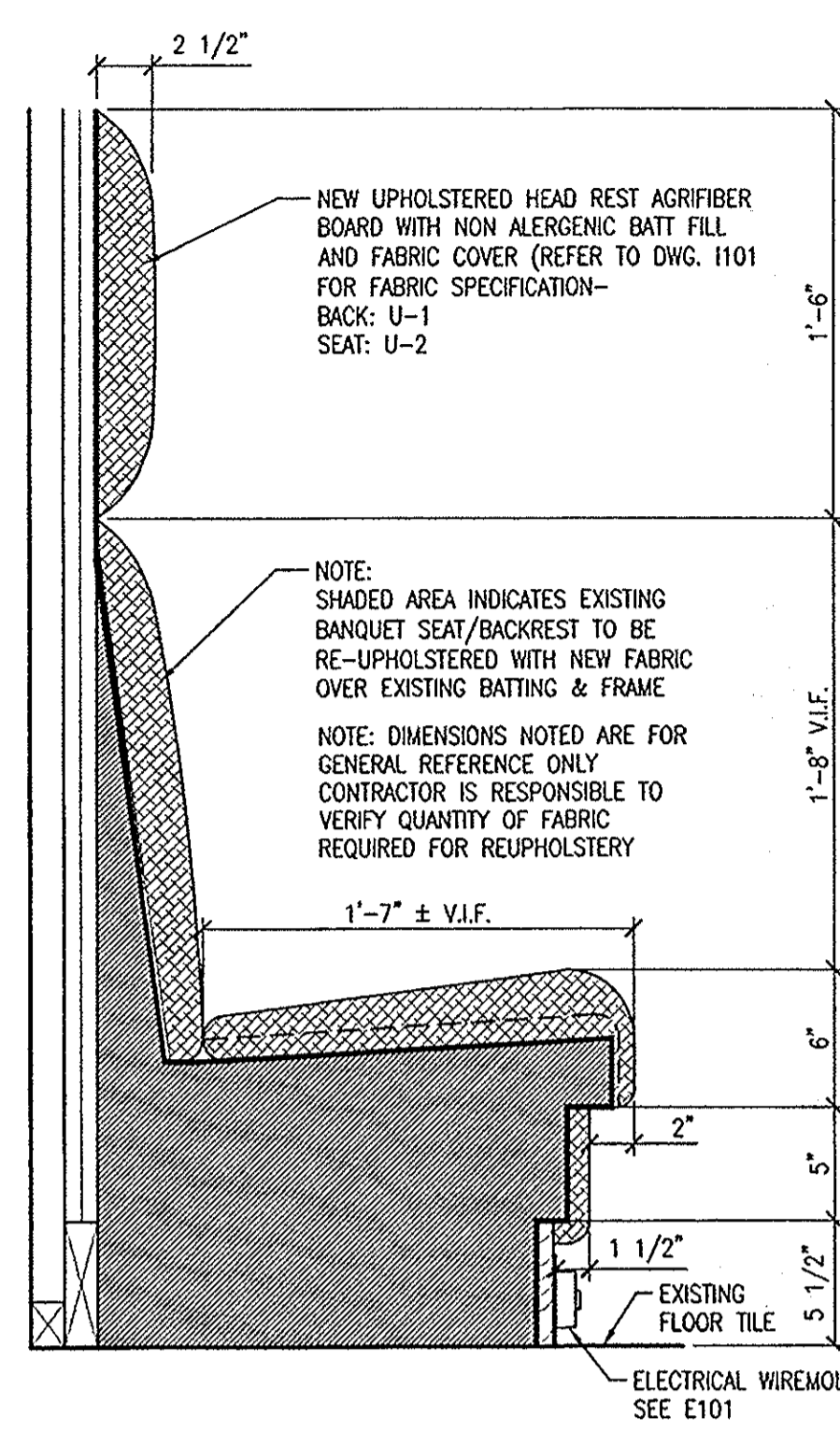


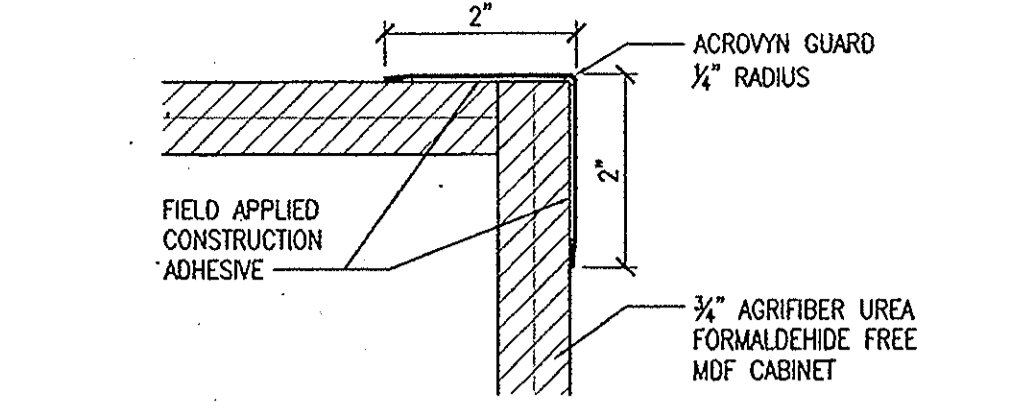
1 TYPICAL SECTION AT SERVERY CANOPY  
SCALE: 1-1/2" = 1'-0"



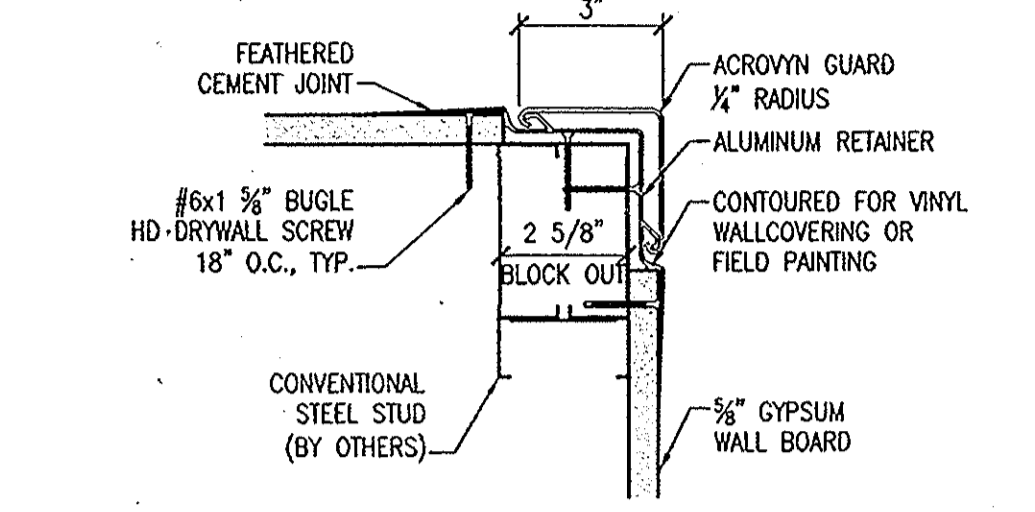
2 SECTION AT SERVERY  
SCALE: 1-1/2" = 1'-0"



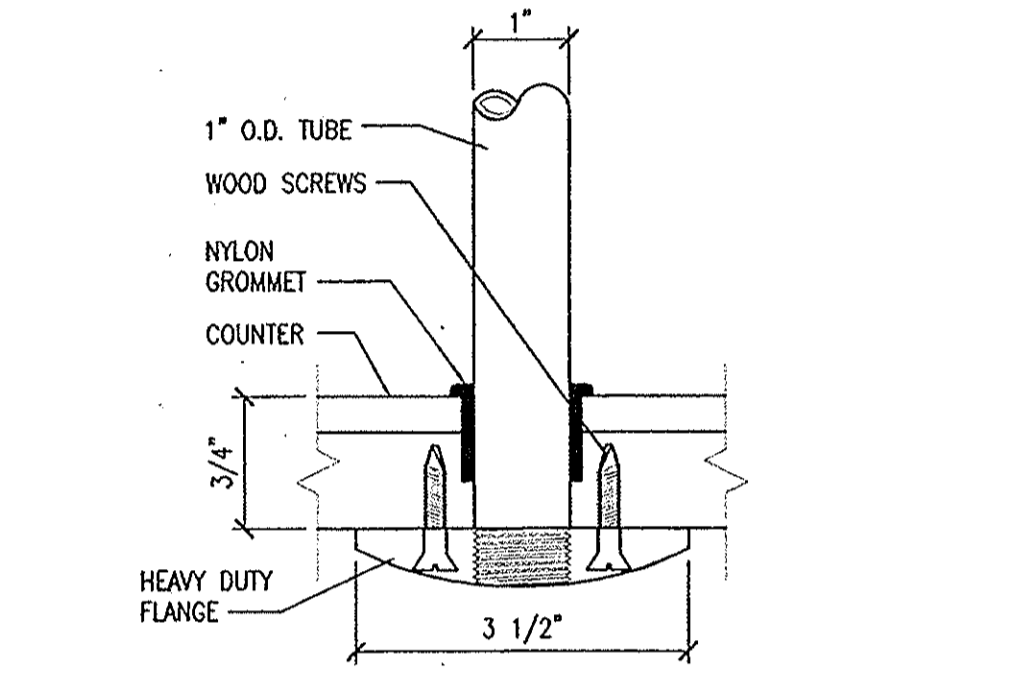
3 BANQUET SEAT SECTION  
SCALE: 1-1/2" = 1'-0"



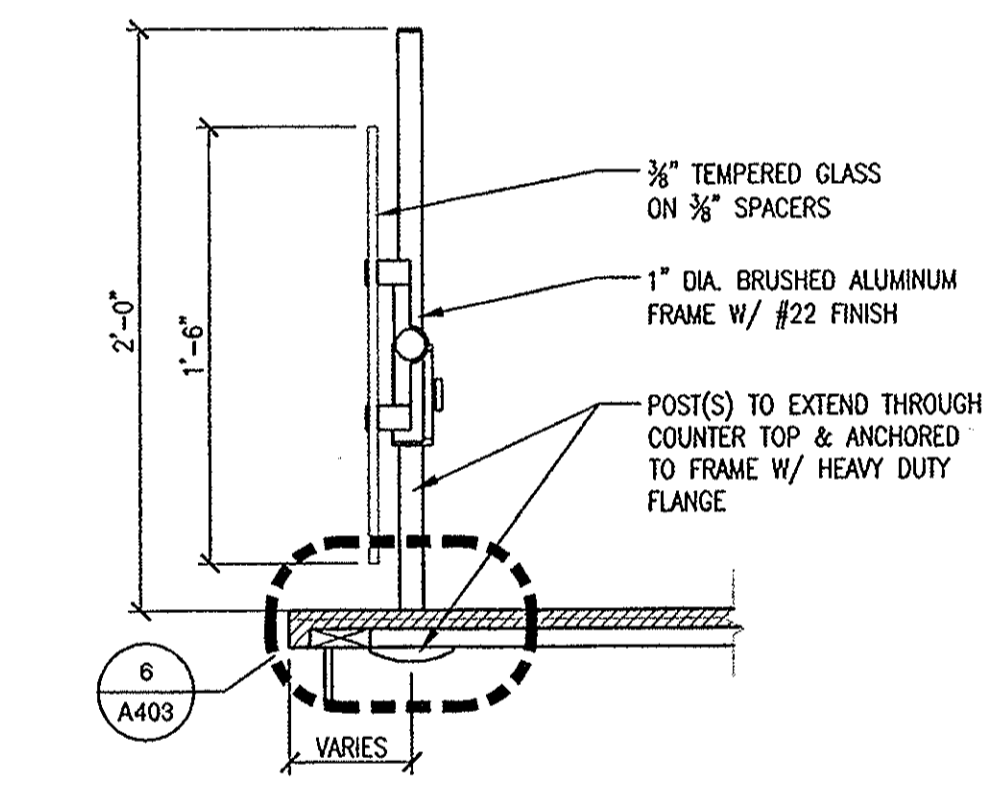
4 MILLWORK CORNER GUARD  
SCALE: 6" = 1'-0"



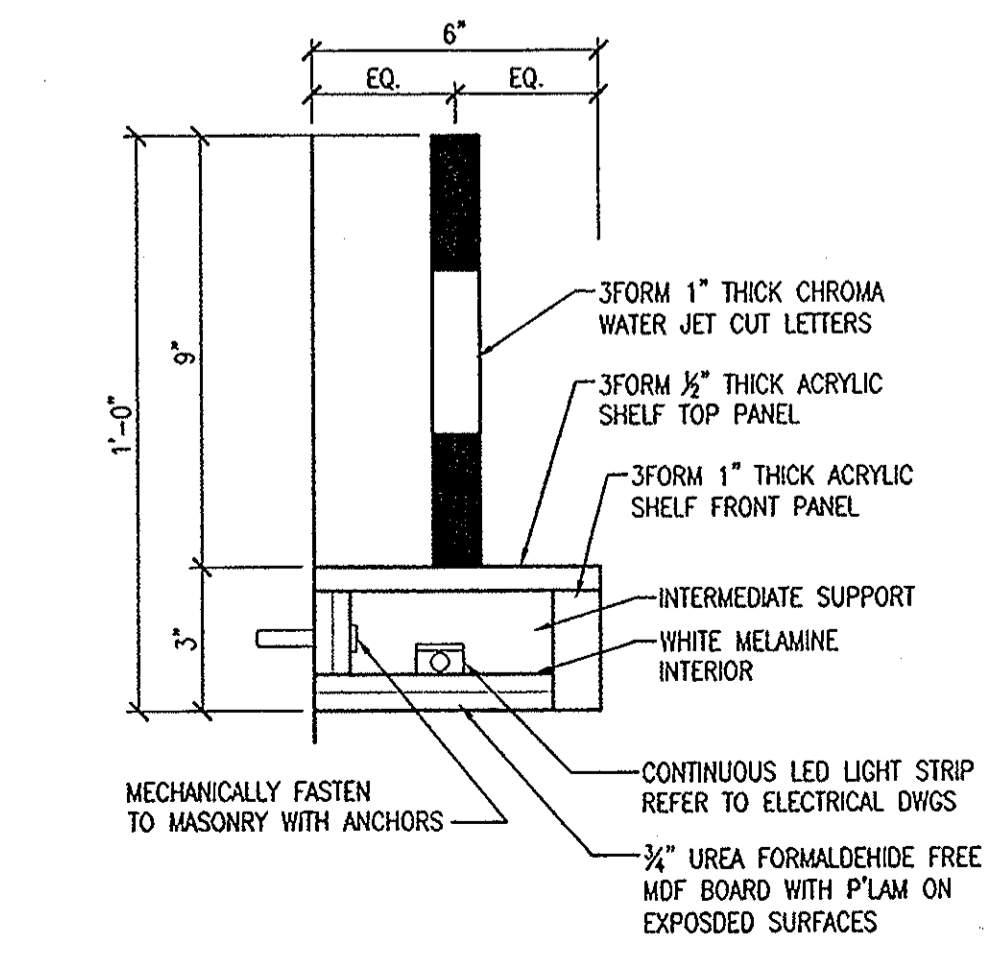
5 WALL MTD. CORNER GUARD DETAIL  
SCALE: 3" = 1'-0"



6 BREATH GUARD MOUNTING DETAIL  
SCALE: 6" = 1'-0"



7 TYPICAL GUARD DETAIL Z9500-4  
SCALE: 1-1/2" = 1'-0"



8 ENTRY SIGN SECTION  
SCALE: 3" = 1'-0"

MILLWORK HARDWARE SCHEDULE						
HARDWARE TYPE	QUANTITY	MANUFACTURER	DESCRIPTION	MODEL NO.	FINISH	NOTES
<b>1 SERVERY COUNTER</b>						
PER LEAF	2	HAFELE	SALICE CSR 3499XR SELF CLOSING CABINET HINGE	343.62.513	STEEL	106 DEGREE
PER CASHIER	2	DOUG MOCKETT	2-3/8" DIA. METAL GROMMET	BRAWA-BRM	SATIN NICKEL NICKEL PLATED	
PER STATION	2	BRASS SMITH	Z-GUARD			TEMPERED GLASS
PER STATION	4	KSC	2"X2" CORNER GUARD	A676	T.B.O.	BOTTOM END CAPS MOUNTED ON WITH ALUMINUM RETAINER-MECH. FASTENED
PER DRAWER	1	HAFELE	ACCURIDE DRAWER GLIDES	422/04.606	GALVANIZED STEEL	24" DEEP DRAWER
PER CABINET	1	HAFELE	DRAWER LOCK	235.14.261	ZINC, CHROME PLATED	KEYED ALIKE FOR DOUBLE DOORS
PER CABINET	2	HAFELE	MAGNETIC CATCH WITH STRIKE PLATE	246.92.000	STEEL BRIGHT	FOR BACK OF DOOR
PER CABINET	4	HAFELE	SHELF SUPPORTS 7MM DIA.	282.10.700	NICKEL PLATED	
PER CABINET	2	HAFELE	DOOR PULL	101.20.729	SATIN STAINLESS STEEL	
<b>2 BAR COUNTER</b>						
TABLE LEGS	4	FALCON	BASES-42" HIGH	P900	R100-BLACK WRINKLE	REQUEST INF. TO PRE-DRILL BASE FOR ANCHORING TO FLOOR
<b>3 TRASH/RECYCLE</b>						
PER LEAF	2	HAFELE	SALICE CSR 3499XR SELF CLOSING CABINET HINGE	343.62.513	STEEL, NICKEL PLATED	106 DEGREE OPEN
PER UNIT	2	DOUG MOCKETT	RECYCLE BIN GROMMET 8" DIA. X 1" DEEP	TM-2	SATIN STAINLESS STEEL	
PER UNIT	1	DOUG MOCKETT	RECYCLE BIN GROMMET 12" DIA. X 1" DEEP	TM-12	SATIN STAINLESS STEEL	
PER LEAF	1	HAFELE	DOOR PULL	101.20.729	SATIN STAINLESS STEEL	
<b>4 CONDIMENT COUNTER</b>						
PER LEAF	2	HAFELE	SALICE CSR 3499XR SELF CLOSING CABINET HINGE	343.62.513	STEEL, NICKEL PLATED	106 DEGREE OPEN
PER CABINET	1	HAFELE	DRAWER LOCK	235.14.261	ZINC, NICKEL PLATED	KEYED ALIKE FOR DOUBLE DOORS
PER SHELF	4	HAFELE	SHELF SUPPORTS 7MM DIA.	282.10.700	NICKEL PLATED	
PER LEAF	1	HAFELE	DOOR PULL	101.20.729	SATIN STAINLESS STEEL	
GENERAL MILLWORK NOTES:						
1. GENERAL CONTRACTOR TO PROVIDE CONTINUOUS HEAVY DUTY WOOD BLOCKING AT ALL PARTITIONS SUPPORTING MILLWORK CABINETS, ETC.						
2. MILLWORK CONTRACTOR SHALL PROVIDE ALL MILLWORK HARDWARE AS INDICATED, OR IMPLIED AND REQUIRED FOR A COMPLETE INSTALLATION.						
3. ALL CABINETS ARE TO BE LOCKABLE						
4. MELAMINE INTERIOR: PROVIDE FULL RANGE OF COLOR CHOICES.						
5. CABINETS TO BE MADE OF UREA FORMALDEHYDE FREE BOARD, WHEATBOARD, KIREI WHEATBOARD, 3/4" THICK AS MFG. BY KIREI USA (P) 619.236.9924, ERIC FAGAN, ERIC@KIREIUSA.COM WHEATBOARD TO MEET ANSI A208.2-94, WHEATBOARD CLASSIFICATION N3.						

**SUNY PROJECT**  
No. G06098  
**BOOKS & BYTES**  
**CAFE RENOVATION**  
**MILNE LIBRARY**

**SUNY Geneseo**  
**Campus Auxillary**  
**Services**

1 College Circle  
Geneseo, NY 14454



www.bergmannpc.com  
28 East Main Street  
200 First Federal Plaza  
Rochester, New York 14614  
585.232.5135 / 585.232.4652 fax

Engineers / Architects / Planners / Surveyors

REVISIONS			
NO.	DATE	DESCRIPTION	REV. CK'D

NOTE:  
Unauthorized alteration or addition to this drawing is a violation of the New York State Education Law Article 145, Section 7209.

**SECTIONS**  
**& DETAILS**

Project Manager:  
**S. STAVESKI**  
Drawn by:  
**K. STEPHENS**  
Checked by:  
**C. FINN**  
Date Issued:  
APRIL 16, 2009  
Scale:  
**AS NOTED**

Project Number: File Name:  
**8058.00**  
Drawing Number:

**A403**