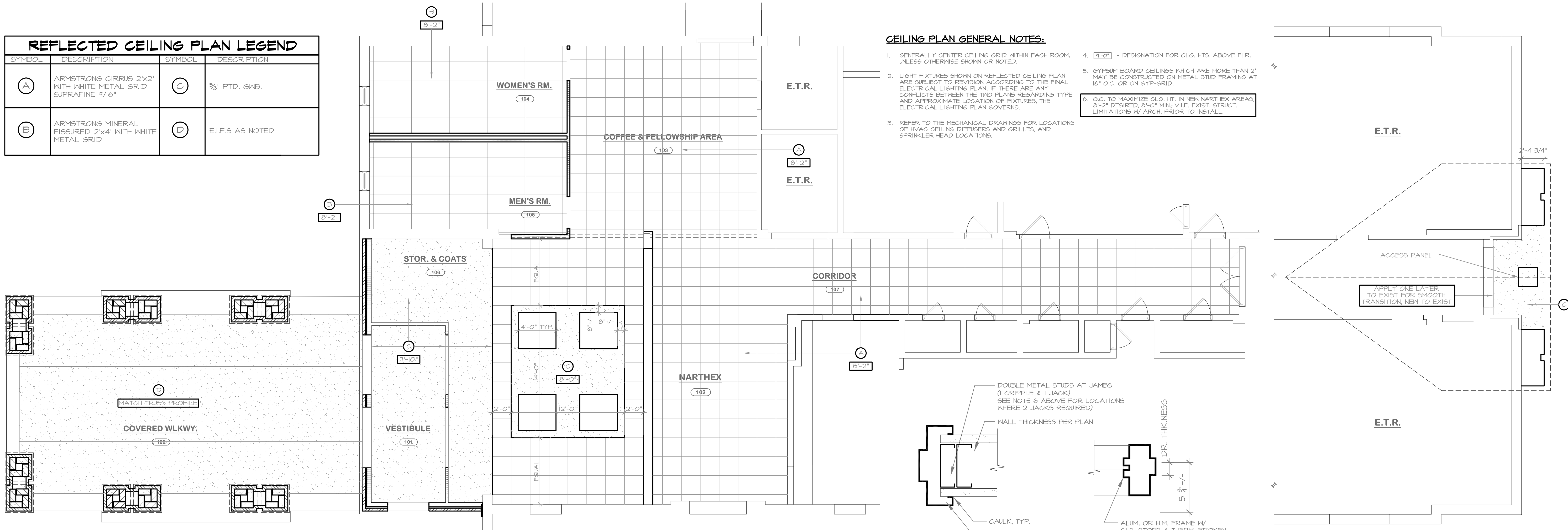


REFLECTED CEILING PLAN LEGEND			
SYMBOL	DESCRIPTION	SYMBOL	DESCRIPTION
(A)	ARMSTRONG CIRRUS 2'x2' WITH WHITE METAL GRID SUPRAFINE 9/16"	(C)	3/8" PTD. GNB.
(E)	ARMSTRONG MINERAL FIGURED 2'x4' WITH WHITE METAL GRID	(D)	E.I.F.S AS NOTED



- CEILING PLAN GENERAL NOTES:**
- GENERALLY CENTER CEILING GRID WITHIN EACH ROOM, UNLESS OTHERWISE SHOWN OR NOTED.
  - LIGHT FIXTURES SHOWN ON REFLECTED CEILING PLAN ARE SUBJECT TO REVISION ACCORDING TO THE FINAL ELECTRICAL LIGHTING PLAN. IF THERE ARE ANY CONFLICTS BETWEEN THE TWO PLANS REGARDING TYPE AND APPROXIMATE LOCATION OF FIXTURES, THE ELECTRICAL LIGHTING PLAN GOVERNS.
  - REFER TO THE MECHANICAL DRAWINGS FOR LOCATIONS OF HVAC CEILING DIFFUSERS AND GRILLES, AND SPRINKLER HEAD LOCATIONS.
  - (CLG) - DESIGNATION FOR CLG. HTS. ABOVE FLR.
  - GYPSUM BOARD CEILINGS WHICH ARE MORE THAN 2' MAY BE CONSTRUCTED ON METAL STUD FRAMING AT 16" O.C. OR ON GYP-GRID.
  - G.C. TO MAXIMIZE CLG. HT. IN NEW NARTHEX AREAS, 8'-2" DESIRED, 8'-0" MIN.; V.I.F. EXIST. STRUCT. LIMITATIONS W/ ARCH. PRIOR TO INSTALL.

**REFLECTED CEILING PLAN**

3/16" = 1'-0"

DOOR SCHEDULE															
NO.	QTY	WTH	HHT	XTHK	DOOR TYPE	MAT'L	FINISH	LABEL	FRAME ELEV.	MAT'L	FINISH	TYPE	HDWR. see specs	REMARKS	NO.
100		3'-0"	7'-0"	3/4"	A	ALUM./GLS.	ANOD.	-	3	ALUM.	ANOD.	1	# 1A.	WEATHERSTRIPPING	100
101	(2)	3'-0"	7'-0"	3/4"	A	ALUM./GLS.	ANOD.	-	2	ALUM.	ANOD.	1	# 1.	WEATHERSTRIPPING	101
102		3'-0"	7'-0"	3/4"	A	ALUM./GLS.	ANOD.	-	2	ALUM.	ANOD.	2	# 2A.	WEATHERSTRIPPING	102
103	(2)	3'-0"	7'-0"	3/4"	A	ALUM./GLS.	ANOD.	-	3	ALUM.	ANOD.	2	# 2.	WEATHERSTRIPPING	103
104		3'-0"	7'-0"	3/4"	B	WOOD	POLYUR.	B	1	H.M.	PAINT	1	# 4		104
105		3'-0"	7'-0"	3/4"	B	WOOD	POLYUR.	-	1	H.M.	PAINT	2	# 3.	MARBLE THOLD	105
106		3'-0"	7'-0"	3/4"	B	WOOD	POLYUR.	-	1	H.M.	PAINT	2	# 3.	MARBLE THOLD	106
107	(2)	3'-0"	7'-0"	3/4"	A	ALUM./GLS.	ANOD.	-	2	ALUM.	ANOD.	1	# 5.		107
108		3'-0"	7'-0"	3/4"	A	ALUM./GLS.	ANOD.	-	2	ALUM.	ANOD.	1	# 5.		108

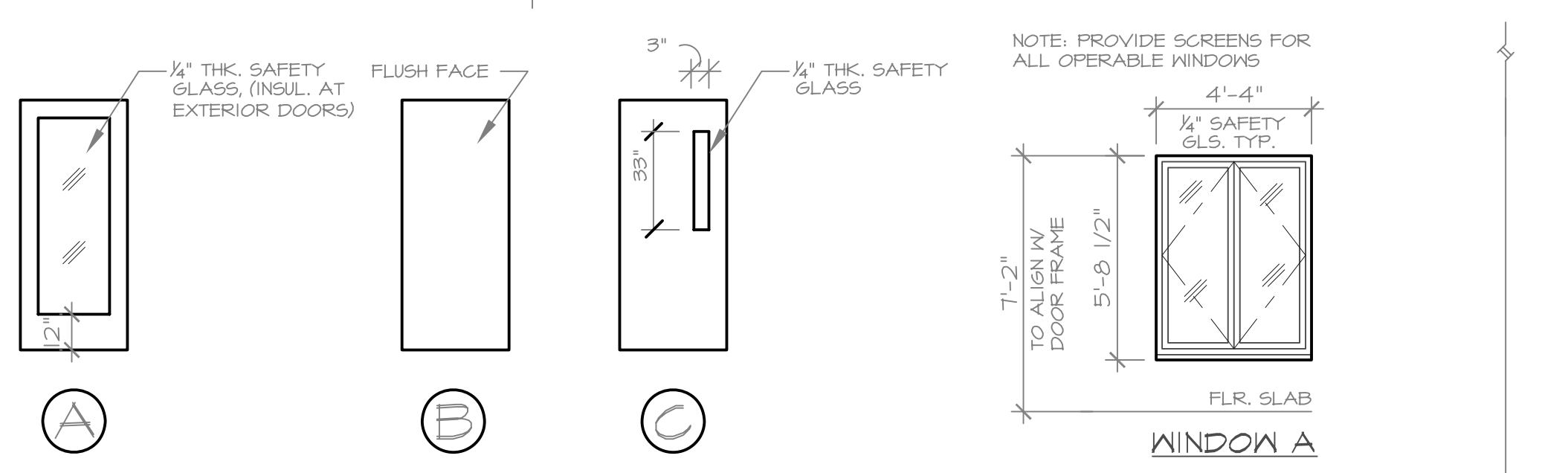
WINDOW SCHEDULE											
NO.	WTH	HHT	XTHK	WINDOW			FRAME		AMOUNT	NO.	
				TYPE	MAT'L	FINISH	MAT'L	FINISH			COLOR
A	4'-4"	5'-8"	5'	CASE	INSUL. GLAZ	LOW-E TINT	ALUM.	PAINT	DARK BRONZE	1	A

**DOOR GENERAL NOTES:**

- AT FIRE RATED DOORS, 1/4" THK. SAFETY GLASS W/ WIRE GLASS SQUARES PATTERN TYP.
- DOOR FINISHES & HARDWARE PER SPECS.
- DOOR HARDWARE TO COMPLY W/ PART. 100.3.3.1.8 OF NYS BLDG. CODE. PROVIDE DOOR HARDWARE SUBMITTAL TO ARCH. FOR APPROVAL PRIOR TO FABRICATION.
- ALL FIRE-RATED DOORS TO HAVE CLOSERS TYP.
- UNDERCUT ALL TOILET ROOM DOORS 1/2" TYP.
- PROVIDE ELEC. BOX & CONDUIT AT EXTERIOR DOORS AND TOILET ROOMS FOR ADA POWER ASSIST. SEE ELEC. DRAWINGS
- PROVIDE FLOOR MOUNTED STOPS AT DOORS WHERE PRACTICAL. WALL MOUNTED STOPS ALLOWED OTHERWISE.

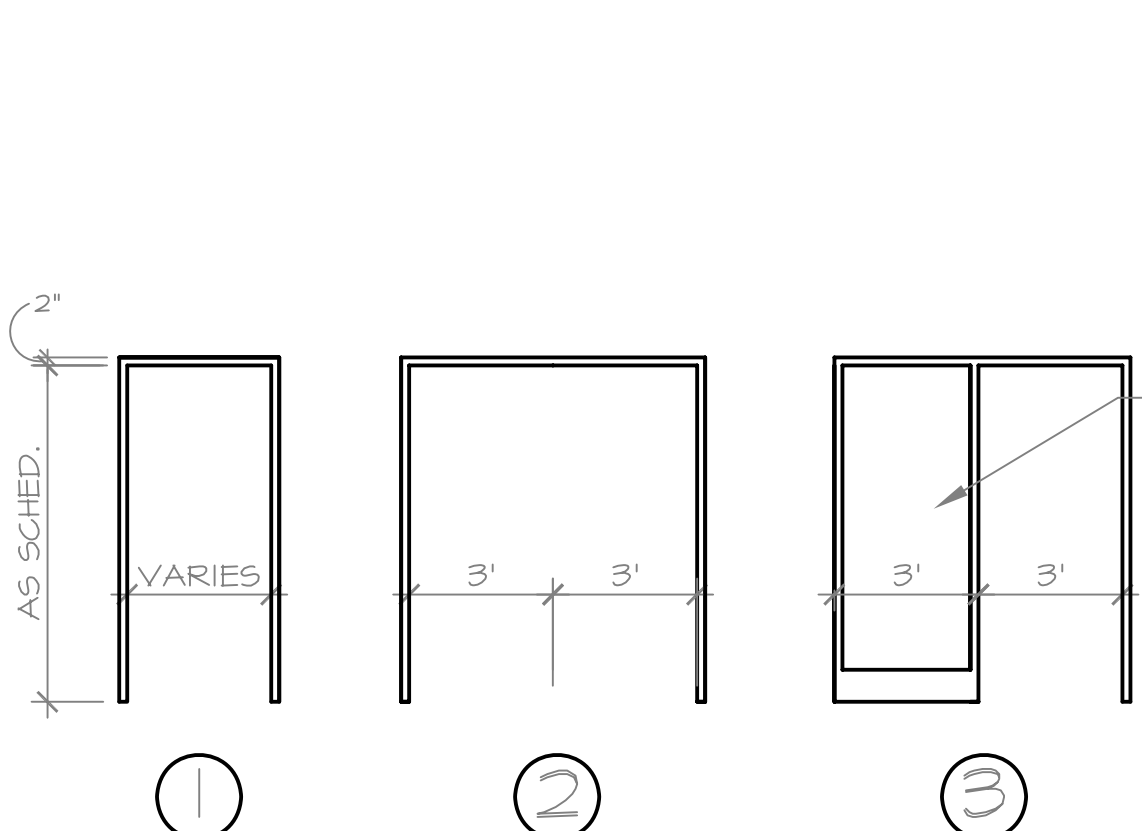
**FRAME TYPES**

1/4" = 1'-0"



**DOOR ELEVATIONS**

1/4" = 1'-0"



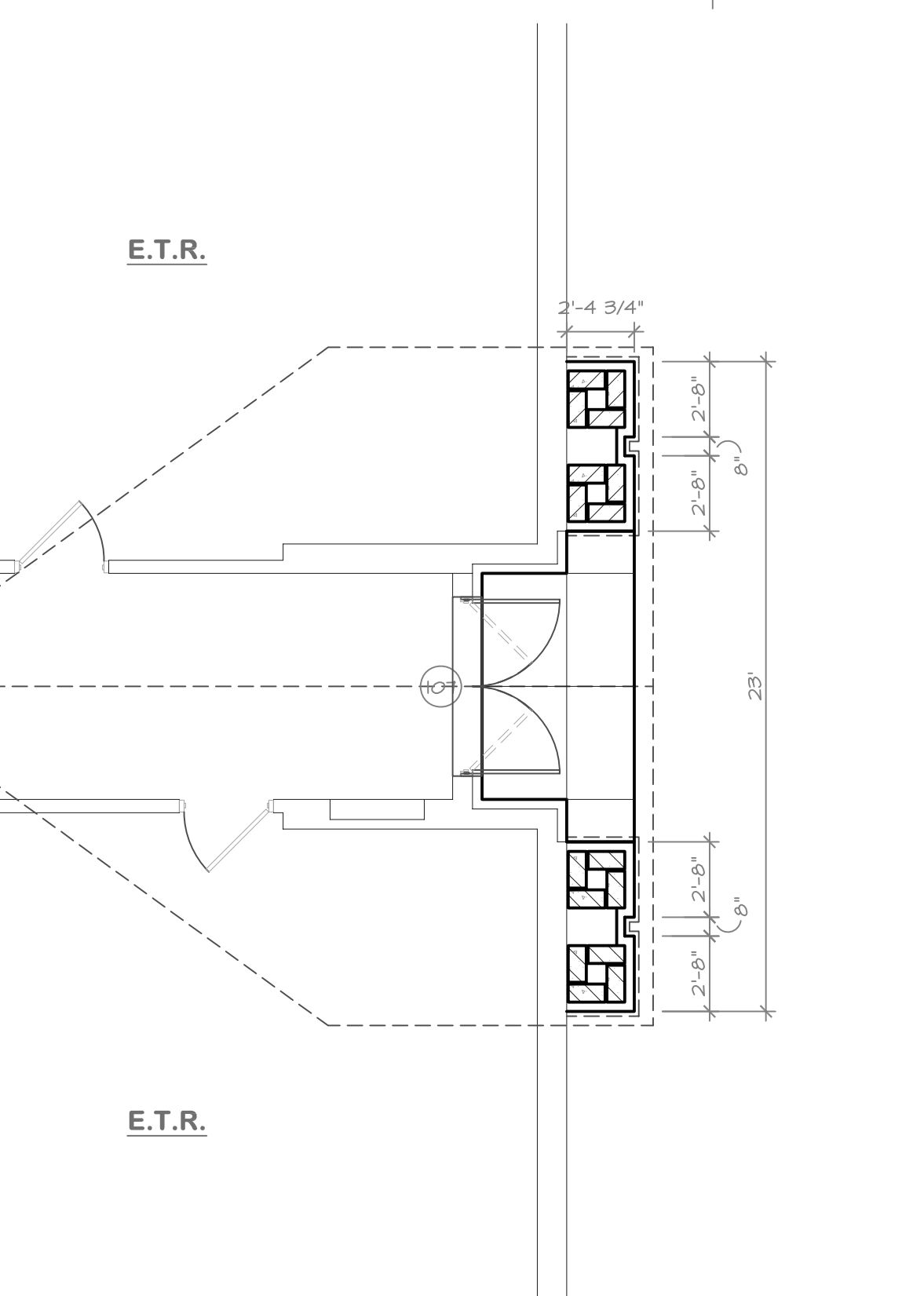
**FRAME ELEVATIONS**

1/4" = 1'-0"



**REF. CLG. PLAN 1A.**

3/16" = 1'-0"



**PRTL. FLR. PLAN EAST WING 2.**

3/16" = 1'-0"

**Architectura** P.C. ARCHITECTS

Carnegie Place, 247 N. Goodman St. Rochester, New York 14607 585/442-8550

NO.	REVISION	BY	DATE

NOTICE: ANY UNAUTHORIZED ALTERATIONS OR ADDITIONS TO THE DRAWINGS OR INVIOLATION OF THE INTELLECTUAL PROPERTY RIGHTS OF ARCHITECTURA P.C. ARCHITECTS, SHALL BE PROSECUTED TO THE FULL EXTENT OF THE LAW. NO REVISIONS ARE PERMITTED WITHOUT THE WRITTEN APPROVAL OF ARCHITECTURA P.C. ARCHITECTS. Copyright © 2004

**ADDITIONS & RENOVATIONS**  
FOR:  
**PENFIELD UNITED METHODIST CHURCH**  
1745 BAIRD ROAD  
PENFIELD, NEW YORK 14526

PROJECT NO.: 165101  
CHECKED BY: JFT  
DRAWN BY: SBT/SDD  
DATE: 9-25-04

STAMP

SHEET NAME  
**PLANS, SCHED. & DETAILS**

SHEET NO.  
**A-2**